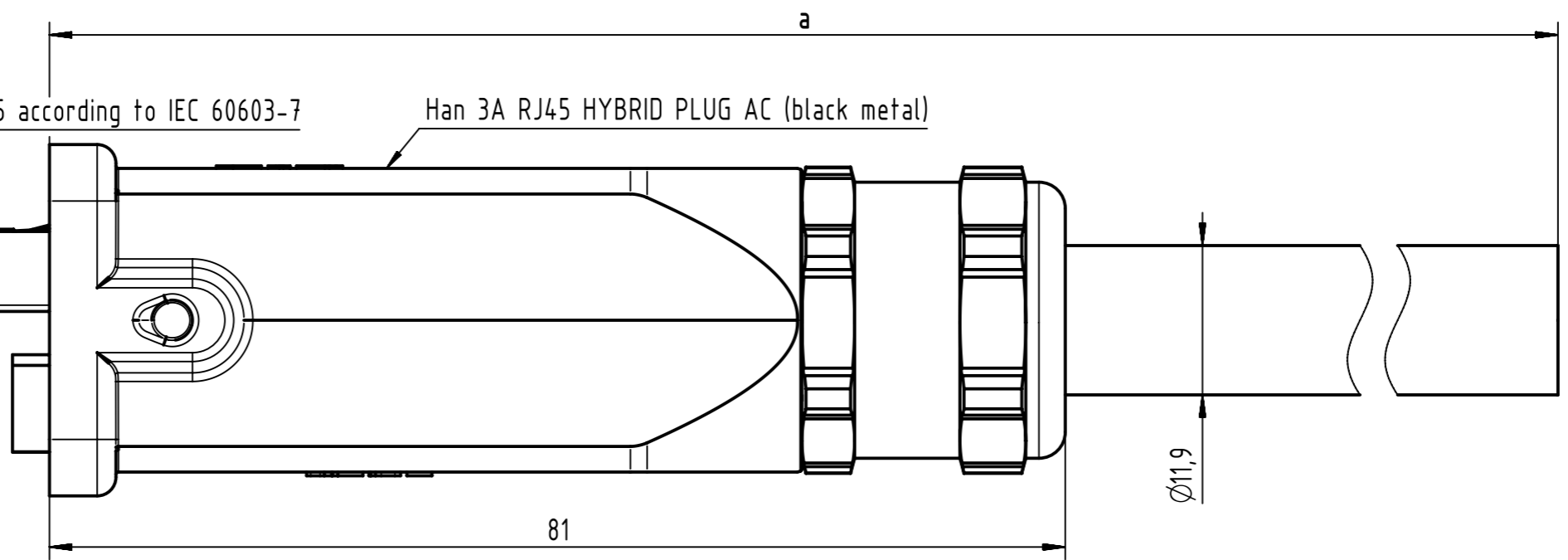


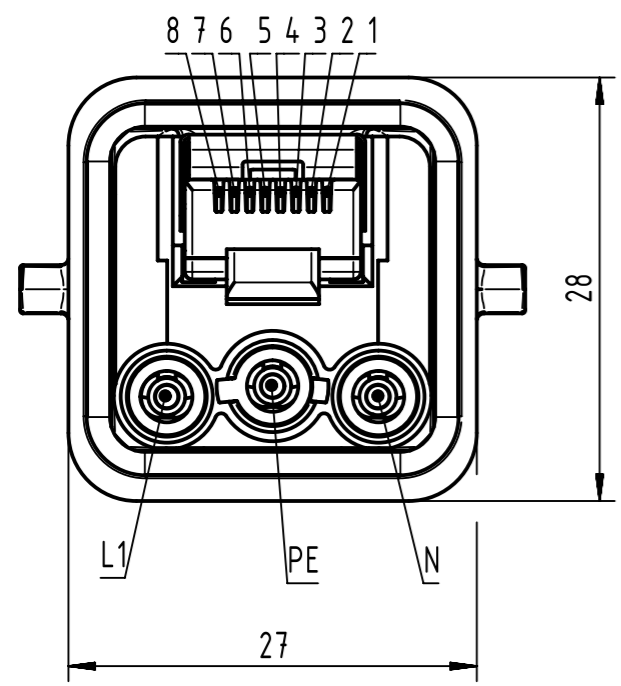
X

Mating face RJ45 according to IEC 60603-7

Han 3A RJ45 HYBRID PLUG AC (black metal)



X



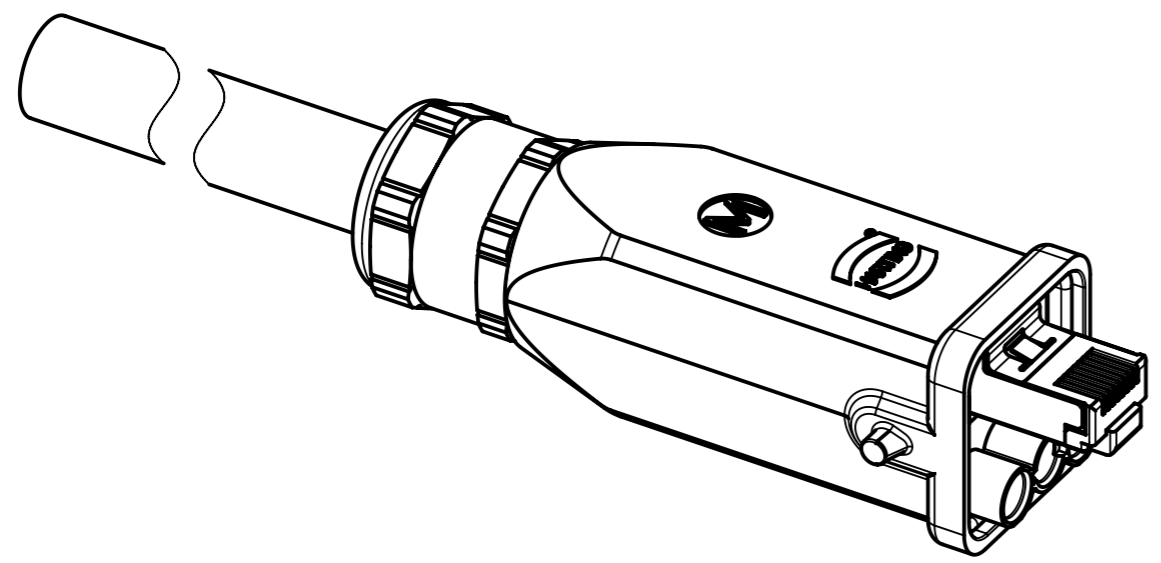
Loading-Plan (Data)

- Shield
- 1 White/green
- 2 Green
- 3 White/orange
- 4 Blue
- 5 White/blue
- 6 Orange
- 7 White/brown
- 8 Brown

Loading-Plan (Power-AC version)

- L1 black
- N blue
- PE green/yellow

-Protection level: IP67
-Temperature range: -40°C ...+70°C



5	33571110200002	Hybrid cable, 4x2AWG26/7+3x2.5 sqmm, AC	20
4	33571110120002		12
3	33571110100002		10
2	33571110050002		5
1	33571110010002		1
Cont. no.	Part no.	Type of cable	Dim. a[m]

All rights reserved Department EC PD - RO		All Dimensions in mm Original Size DIN A3	Scale 2:1 Free size tol.	Ref. Sub.
Created by POPESCU	Inspected by AVRAM	Standardisation HOFFMANN	Date 2015-12-18	State Final Release
Title Han 3A RJ45 Hybrid Cable Assembly			Doc-Key / ECM-Nr. 100172821/UGD/019/B 50000098235	
HARTING Electronics GmbH D-32339 Espelkamp		Type TB	Number 3357111XXX0002	Rev. B Page 1/1